

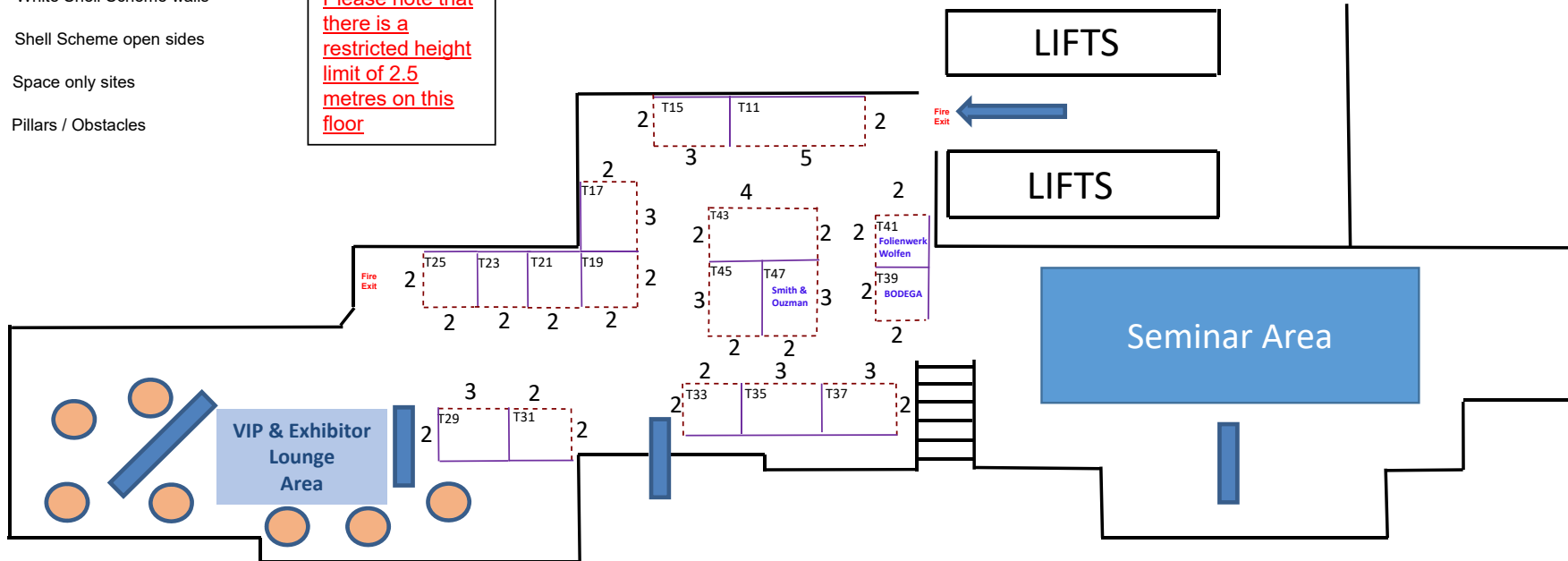
Exhibition Floor Plan – 2nd Floor



QEI CENTRE, WESTMINSTER, LONDON, UK
 CONFERENCE: 25-27 JUNE 2018 • EXHIBITION: 26-27 JUNE, 2018

- White Shell Scheme walls
- Shell Scheme open sides
- Space only sites
- Pillars / Obstacles

Please note that there is a restricted height limit of 2.5 metres on this floor



This plan is intended for guidance only and does not form any contract, representation or warranty, expressed or implied

Layout subject to alteration at the discretion of The Organiser

All dimensions in metres. Scale 1:300. Note 1m = 3ft. 3.37 ins.

Exhibition Enquiries: Janine Bill, Science Media Partners Ltd, 25 Horseshoe Park, Horseshoe Road, Pangbourne, Reading, RG8 7JW UK
 Tel: +44 (0) 1189 843209; Fax: +44 (0) 2920 946850; Email: j.bill@sciencemediapartners.com

11th Jan 2018